

CSYEALAbY, CSYEALAbzY, CSYEALAbY-F, CSYEALAbzY-F

0.6/1 kV

**Cablu de semnalizare cu izolatie de PVC,
ecranat - armat**

**PVC insulated and sheathed signal cable
screened armoured**

Standard	Aprobari / Approvals	Ambalare / Packaging
ST 106.1 :2015 Standard de referinta STAS 8779 si SR 60502-1	Certificat de omologare tehnica feroviara Nr 71, 72/2015, AFER Buc, Romania Railway Technical Approval Certificate No 71, 72/2015, AFER Buc, Romania	Tambur/ drum

CARACTERISTICI		CHARACTERISTICS	
Utilizare: Cablurile se utilizeaza pentru comanda si semnalizare in instalatii electroenergetice si similare Cablurile pot fi pozate in spatii inchise si deschise, in pamant, in canale, in beton Cablurile sunt cu rezistenta la UV		Applicability: Control and transmittal of signals in power generation & supply facilities and similar The cables can be installed in open or confined areas, underground, in sewers, in concrete. UV resistant cables.	
Tensiune nominala U₀/U	0.6/1 kV	Rated voltage U₀/U	0.6/1 kV
Tensiune de incercare	4 h :1.8 kV c.a sau 3.6 kV c.c 1 min : 4 kV c.a sau 8.0 kV c.c	Test voltage	4 h :1.8 kV c.a sau 3.6 kV d.c 1 min : 4 kV c.a sau 8.0 kV d.c
Rezistivitatea de volum la -20°C -70°C	- min 1*10 ¹³ Ω*cm - min 1*10 ¹⁰ Ω*cm	Volume resistivity at -20 °C -70 °C	- min 1*10 ¹³ Ω*cm - min 1*10 ¹⁰ Ω*cm
Factor reductor la 200mV/m si 50 Hz	max 0.7	Reduction factor	max 0.7
Capacitate la 800 Hz	Max 100 nF/km	Capacity at 800 Hz	Max 100 nF/km
Temperatura minima de instalare pe cablu	-5°C	The minim temperature of de cable during installation	-5°C
Temperatura maxima de lucru	+70°C	Max.permissible operating temperature	+70°C
Temperatura maxima de scurt-circuit	+160°C(max 5sec)	Max. short-circuit temperature	+160°C(max 5sec)
Temperatura de utilizare normala	-40°C ÷ +70°C	Normal operational temperature range	-40°C ÷ +70°C
Temperatura masurata pe manta	-10°C ÷ +70°C	Temperature measured on the sheath	-10°C ÷ +70°C
Conformitate RoHS	Da	RoHS compliancy	Yes
Conformitate REACH	Da	REACH compliancy	Yes
Conductor de cupru	Conductor unifilar (ru), SR EN 60228	Copper conductor	Solid conductor (ru), SR EN 60228
Izolatie	PVC	Insulation	PVC
Umplutura	PVC sau benzi din material plastic	Filling	PVC or plastic tape
Manta interioara	PVC tip ST1 negru sau gri	Inner sheath	PVC type ST1 black or gray
Ecran	Ecran din sarme de Al	Screen	Aluminum wire screen
Armatura	Banda laminata la rece nezincata (CSYEALAbY, CSYEALAbY-F) sau zincata (CSYEALAbzY, CSYEALAbzY-F), de grosime minima 0.2 mm	Armor	Blank (CSYEALAbY, CSYEALAbY-F) or zinc-plated cold-rolled (CSYEALAbzY, CSYEALAbzY-F) tape 0.2 thickness.
Manta exterioara	PVC tip ST1 negru (CSYEALAbY, CSYEALAbzY) sau gri (CSYEALAbY-F, CSYEALAbzY-F) Cablurile sunt cu rezistenta sau rezistenta marita la propagarea flacarilor conf SR EN 60332-1-2 (CSYEALAbY, CSYEALAbzY), SR EN 60332-3-24 /cat C (CSYEALAbY-F, CSYEALAbzY-F)	Outer sheath	PVC type ST1 black (CSYEALAbY, CSYEALAbzY) or gray (CSYEALAbY-F, CSYEALAbzY-F) The cables are flame retardant or extra flame retardant acc SR EN 60332-1-2 (CSYEALAbY, CSYEALAbzY), SR EN 60332-3-24 /cat C (CSYEALAbY-F, CSYEALAbzY-F).
Marcaj pe manta	SC ELECTROPLAST SA ,simbol cablu, tensiune de lucru, luna, an de fabricatie, marcaj de lungime Exemplu de marcaj : CSYEALAbY-F 37x1.5 mm ² 0.6/1 kV ELECTROPLAST SA 10/2012 0030	Sheath marking	SC ELECTROPLAST SA , cable symbol , operational voltage, , months, manufacture year, length marking Example: CSYEALAbY-F 37x1.5 mm ² 0.6/1 kV ELECTROPLAST SA 10/2012 0030
Raza minima de curbura la instalare	Min. 10 x diametrul cablului	Min. bending radius at installation	Min. 10 x cable diameter
Forta maxima de tractiune la pozare	Max 50 N/mm ²	Max. tensile strain during installation	Max 50 N/mm ²
Cod de culori	Conf ST 106.1 :2015	Color coding	According ST 106.1 :2015

CSYEALAbY, CSYEALAbzY, CSYEALAbY-F, CSYEALAbzY-F
0.6/1 kV

**Cablu de semnalizare cu izolatie de PVC,
 ecranat - armat**

**PVC insulated and sheathed signal cable
 screened armoured**

Tipodimensiune cablu Cable size	Tip conductor Conductor type	Grosime radiala izolatie Insulation radial thickness mm	Grosime radiala manta Sheath radial thickness		Diametru exterior nominal Nominal outer diameter mm	Rezistenta electrica, max la 20°C Max. resistance at 20°C Ω/km	Masa inf Mass inf kg/km
			mm				
			Int	Ext			
2x1	ru	0.8	0.8	1.4	14.5	18.1	306
2x1.5	ru	0.8	0.8	1.4	14.9	12.1	333
2x2.5	ru	0.8	0.8	1.4	16.1	7.41	408
2x4	ru	1.0	0.8	1.4	17.4	4.61	488
2x6	ru	1.0	0.8	1.4	18.5	3.08	572
3x1	ru	0.8	0.8	1.4	14.8	18.1	327
3x1.5	ru	0.8	0.8	1.4	15.3	12.1	359
3x2.5	ru	0.8	0.8	1.4	16.6	7.41	437
3x4	ru	1.0	0.8	1.4	18.0	4.61	537
3x6	ru	1.0	0.8	1.4	19.2	3.08	638
4x1	ru	0.8	0.8	1.4	15.6	18.1	370
4x1.5	ru	0.8	0.8	1.4	16.1	12.1	414
4x2.5	ru	0.8	0.8	1.4	17.6	7.41	511
4x4	ru	1.0	0.8	1.4	19.2	4.61	629
4x6	ru	1.0	0.8	1.4	20.5	3.08	760
5x1	ru	0.8	0.8	1.4	16.4	18.1	418
5x1.5	ru	0.8	0.8	1.4	17.0	12.1	463
5x2.5	ru	0.8	0.8	1.4	18.6	7.41	584
5x4	ru	1.0	0.8	1.4	20.4	4.61	735
5x6	ru	1.0	0.8	1.4	21.9	3.08	888
7x1	ru	0.8	0.8	1.4	17.2	18.1	445
7x1.5	ru	0.8	0.8	1.4	17.9	12.1	502
7x2.5	ru	0.8	0.8	1.4	19.7	7.41	636
7x4	ru	1.0	0.8	1.4	21.6	4.61	806
7x6	ru	1.0	0.8	1.4	24.5	3.08	1050
9x1	ru	0.8	0.8	1.4	19.6	18.1	549
9x1.5	ru	0.8	0.8	1.4	20.4	12.1	619
9x2.5	ru	0.8	0.8	1.4	22.7	7.41	793
12x1	ru	0.8	0.8	1.4	20.3	18.1	620
12x1.5	ru	0.8	0.8	1.4	21.3	12.1	705
12x2.5	ru	0.8	1.0	1.8	24.9	7.41	950
14x1	ru	0.8	0.8	1.4	21.1	18.1	679
14x1.5	ru	0.8	0.8	1.4	22.0	12.1	775
14x2.5	ru	0.8	1.0	1.8	25.9	7.41	1078
16x1	ru	0.8	0.8	1.4	21.8	18.1	733
16x1.5	ru	0.8	0.8	1.8	23.7	12.1	868
16x2.5	ru	0.8	1.0	1.8	26.9	7.41	1178
19x1	ru	0.8	0.8	1.4	22.7	18.1	807
19x1.5	ru	0.8	1.0	1.8	25.0	12.1	992
19x2.5	ru	0.8	1.0	1.8	28.0	7.41	1214
21x1	ru	0.8	1.0	1.8	26.6	18.1	978
21x1.5	ru	0.8	1.0	1.8	27.9	12.1	1123
21x2.5	ru	0.8	1.0	1.8	31.5	7.41	1493
24x1	ru	0.8	1.0	1.8	26.6	18.1	1030
24x1.5	ru	0.8	1.0	1.8	27.9	12.1	1189
24x2.5	ru	0.8	1.0	1.8	31.5	7.41	1597
27x1	ru	0.8	1.0	1.8	27.0	18.1	1096

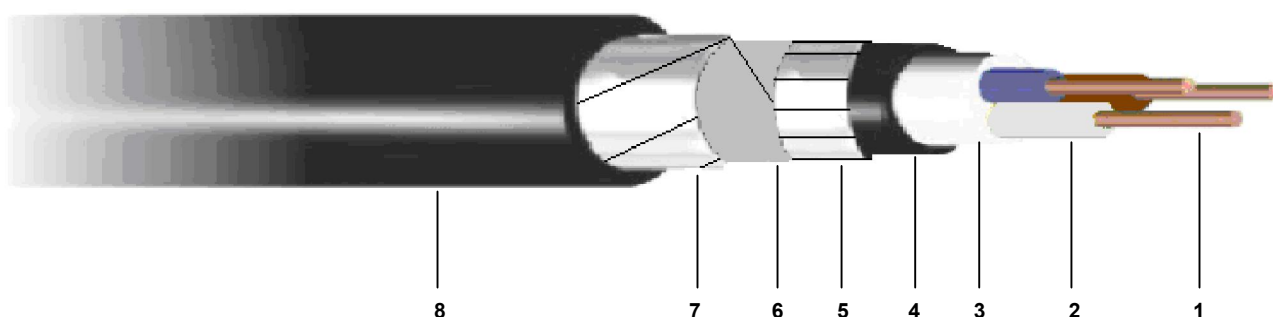
CSYEALAbY, CSYEALAbzY, CSYEALAbY-F, CSYEALAbzY-F
0.6/1 kV

**Cablu de semnalizare cu izolatie de PVC,
ecranat - armat**

**PVC insulated and sheathed signal cable
screened armoured**

Tipodimensiune cablu Cable size	Tip conductor Conductor type	Grosime radiala izolatie Insulation radial thickness mm	Grosime radiala manta Sheath radial thickness		Diametru exterior nominal Nominal outer diameter mm	Rezistenta electrica, max la 20°C Max. resistance at 20°C Ω/km	Masa inf Mass inf kg/km
			mm				
			Int	Ext			
27x1.5	ru	0.8	1.0	1.8	28.4	12.1	1271
27x2.5	ru	0.8	1.0	1.8	32.0	7.41	1717
30x1	ru	0.8	1.0	1.8	27.7	18.1	1168
30x1.5	ru	0.8	1.0	1.8	29.1	12.1	1358
30x2.5	ru	0.8	1.0	2.2	33.0	7.41	1844
33x1	ru	0.8	1.0	1.8	28.5	18.1	1247
33x1.5	ru	0.8	1.0	1.8	30.0	12.1	1453
33x2.5	ru	0.8	1.0	2.2	34.0	7.41	1984
37x1	ru	0.8	1.0	1.8	29.3	18.1	1338
37x1.5	ru	0.8	1.0	1.8	30.9	12.1	1571
37x2.5	ru	0.8	1.0	1.8	36.3	7.41	2290
42x1	ru	0.8	1.0	1.8	32.0	18.1	1507
42x1.5	ru	0.8	1.0	1.8	33.8	12.1	1790
48x1	ru	0.8	1.0	1.8	32.5	18.1	1542
48x1.5	ru	0.8	1.0	1.8	34.8	12.1	1940
52x1	ru	0.8	1.0	1.8	33.2	18.1	1714
52x1.5	ru	0.8	1.0	2.2	36.1	12.1	2104
56x1	ru	0.8	1.0	2.2	34.8	18.1	1854
56x1.5	ru	0.8	1.0	2.2	36.9	12.1	2223
61x1	ru	0.8	1.0	2.2	35.6	18.1	2090
61x1.5	ru	0.8	1.0	2.2	37.8	12.1	2365
63x1	ru	0.8	1.2	2.2	36.8	18.1	2109
68x1	ru	0.8	1.2	2.2	36.8	18.1	2250

Forma constructiva:



1	Conductoare rotunde, unifilare, din cupru	1	Solid copper conductors
2	Conductoare izolate	2	Insulated conductors
3	Invelis comun extrudat sau din benzi	3	Filler or plastic tape
4	Manta interna	4	Inner sheath
5	Ecran din sarme de Al	5	Aluminum wire screen
6	Strat separator din PES	6	Plastic tape
7	Armatura din banda de otel sau otel zincat	7	Blank or zinc-plated cold-rolled steel tape
8	Manta exterioara	8	Outer sheath