

**Cablu de semnalizare ecranat, armat,
cu izolatie de PVC si manta de PE**

**Screened-armored signal cable,
PVC insulated and polyethylene sheathed**

Standard	Aprobari / Approvals	Ambalare / Packaging
ST 164: 2014; Standard de referinta: SR CEI 60502-1	Certificat de omologare tehnica feroviara Nr 26, 27/2016, AFER Buc Railway Technical Approval Certificate Nr 26, 27/2016, AFER Buc Romania	Tambur/ drum

CARACTERISTICI		CHARACTERISTICS	
Utilizare: Cabluurile se utilizeaza pentru comanda si semnalizare in instalatii electroenergetice si similare Cabluurile pot fi pozate in spatii inchise si deschise, in pamant, in canale, in beton Cabluurile sunt cu rezistenta la UV		Applicability : Control and transmittal of signals in power generation & supply facilities and similar The cables can be installed in open or confined areas, underground, in sewers, in concrete. UV resistant cables.	
Tensiune nominala U₀/U	0.6/1 kV	Rated voltage U₀/U	0.6/1 kV
Tensiune de incercare	4 h :1.8 kV c.a sau 3.6 kV c.c 1 min : 4 kV c.a sau 8.0 kV c.c	Test voltage	4 h :2.4 kV ac or 6 kV dc 5 min : 3.5 kV ac or 8.5 kV dc
Rezistivitatea de volum la -20°C -70°C	- min 1*10 ¹³ Ω*cm - min 1*10 ¹⁰ Ω*cm	Volume resistivity at -20 °C -70 °C	- min 1*10 ¹³ Ω*cm - min 1*10 ¹⁰ Ω*cm
Factor reductor la 200mV/m si 50 Hz	max 0.7	Reduction factor	max 0.7
Capacitate la 800 Hz	Max 100 nF/km	Capacity at 800 Hz	Max 100 nF/km
Temperatura minima de instalare pe cablu	-5°C	The minim temperature of de cable during installation	-5°C
Temperatura maxima de lucru	+70°C	Max.permissible operating temperature	+70°C
Temperatura maxima de scurt- circuit	+160°C (max 5sec)	Max. short-circuit temperature	+160°C (max 5sec)
Temperatura de utilizare normala	-40°C ÷ +70°C	Normal operational temperature range	-40°C ÷ +70°C
Temperatura masurata pe manta	-10°C ÷ +70°C	Temperature measured on the sheath	-10°C ÷ +70°C
Conformitate RoHS	Da	RoHS compliancy	Yes
Conformitate REACH	Da	REACH compliancy	Yes
Rezistenta la propagarea flacarii	Cabluurile tip CSYEAIAb2Y-Fr1 sunt cu rezistenta la propagarea flacarii conf SR EN 60332-1-2 Cabluurile tip CSYEAIAb2Y-Fr3 sunt cu rezistenta la propagarea flacarii conf SR EN 60332-3-24/ cat C	Flame retardant	CSYEAIAb2Y- FR1 - cables are flame retardant according SR EN 60332-1-2 CSYEAIAb2Y- FR3 - cables are flame retardant according SR EN 60332-3-24 / cat. C
Cabluri de semnalizare cu manta fara halogeni	CSYEAIAb2Y-Fr3	Signal cables sheathed halogen-free	CSYEAIAb2Y-Fr3
Izolatie	PVC	Insulation	PVC
Umplutura	PVC sau benzi din material plastic	Filling	PVC or plastic tape
Manta interioara	Polietilena	Inner sheath	Polyethylene
Ecran	Ecran din sarme de Al	Screen	Aluminum wire screen
Armatura	Banda laminata la rece nezincata (CSYEALAb2Y), sau zincata (CSYEALAbz2Y) ,de grosime min 0.2 mm	Armor	Blank (CSYEALAb2Y) or zinc- plated cold-rolled (CSYEALAbz2Y) tape 0.2 thickness.

**Cablu de semnalizare ecranat, armat,
cu izolatie de PVC si manta de PE**

***Screened-armored signal cable,
PVC insulated and polyethylene sheathed***

Manta exterioara	Polietilena	Outer sheath	PE black (CS2YEALAb2Y, CS2YEALAbz2Y)
Marcaj pe manta	SC ELECTROPLAST SA, simbol cablu, tensiune de lucru, luna, an de fabricatie, marcaj de lungime Exemplu de marcaj: CSYEALAb2Y 37x1.5 mm ² 0.6/1 kV ELECTROPLAST SA 03/2015 0030	Sheath marking	SC ELECTROPLAST SA, cable symbol, operational voltage, months, year of manufacture, mark length Example: CSYEALAb2Y 37x1.5 mm ² 0.6/1 kV ELECTROPLAST SA 03/2015 0030
Raza minima de curbura la instalare	Min. 10 x diametrul cablului	Min. bending radius at installation	Min. 10 x cable diameter
Forta maxima de tractiune la pozare	Max 50 N/mm ²	Max. tensile strain during installation	Max 50 N/mm ²
Cod de culori	Conf ST 164 :2014	Color coding	According ST 164 :2014

**Cablu de semnalizare ecranat, armat,
cu izolatie de PVC si manta de PE**

**Screened-armored signal cable,
PVC insulated and polyethylene sheathed**

Tipodimensiune cablu Cable size	Tip conductor Conductor type	Grosime radiala izolatii Insulation radial thickness	Grosime radiala manta Sheath radial thickness		Diametru exterior nominal Nominal outer diameter	Rezistenta electrica, max la 20°C Max. resistance at 20°C	Masa inf Mass inf			
			mm					mm	Ω/km	kg/km
			Int	Ext						
2x1	re	0.8	0.8	1.4	14.5	18.1	306			
2x1.5	re	0.8	0.8	1.4	14.9	12.1	333			
2x2.5	re	0.8	0.8	1.4	16.1	7.41	408			
2x4	re	1.0	0.8	1.4	17.4	4.61	488			
2x6	re	1.0	0.8	1.4	18.5	3.08	572			
3x1	re	0.8	0.8	1.4	14.8	18.1	327			
3x1.5	re	0.8	0.8	1.4	15.3	12.1	359			
3x2.5	re	0.8	0.8	1.4	16.6	7.41	437			
3x4	re	1.0	0.8	1.4	18.0	4.61	537			
3x6	re	1.0	0.8	1.4	19.2	3.08	638			
4x1	re	0.8	0.8	1.4	15.6	18.1	370			
4x1.5	re	0.8	0.8	1.4	16.1	12.1	414			
4x2.5	re	0.8	0.8	1.4	17.6	7.41	511			
4x4	re	1.0	0.8	1.4	19.2	4.61	629			
4x6	re	1.0	0.8	1.4	20.5	3.08	760			
5x1	re	0.8	0.8	1.4	16.4	18.1	418			
5x1.5	re	0.8	0.8	1.4	17.0	12.1	463			
5x2.5	re	0.8	0.8	1.4	18.6	7.41	584			
5x4	re	1.0	0.8	1.4	20.4	4.61	735			
5x6	re	1.0	0.8	1.4	21.9	3.08	888			
7x1	re	0.8	0.8	1.4	17.2	18.1	445			
7x1.5	re	0.8	0.8	1.4	17.9	12.1	502			
7x2.5	re	0.8	0.8	1.4	19.7	7.41	636			
7x4	re	1.0	0.8	1.4	21.6	4.61	806			
7x6	re	1.0	0.8	1.4	24.5	3.08	1050			
9x1	re	0.8	0.8	1.4	19.6	18.1	549			
9x1.5	re	0.8	0.8	1.4	20.4	12.1	619			
9x2.5	re	0.8	0.8	1.4	22.7	7.41	793			
12x1	re	0.8	0.8	1.4	20.3	18.1	620			
12x1.5	re	0.8	0.8	1.4	21.3	12.1	705			
12x2.5	re	0.8	1.0	1.8	24.9	7.41	950			
14x1	re	0.8	0.8	1.4	21.1	18.1	679			
14x1.5	re	0.8	0.8	1.4	22.0	12.1	775			
14x2.5	re	0.8	1.0	1.8	25.9	7.41	1078			
16x1	re	0.8	0.8	1.4	21.8	18.1	733			
16x1.5	re	0.8	0.8	1.8	23.7	12.1	868			
16x2.5	re	0.8	1.0	1.8	26.9	7.41	1178			
19x1	re	0.8	0.8	1.4	22.7	18.1	807			
19x1.5	re	0.8	1.0	1.8	25.0	12.1	992			
19x2.5	re	0.8	1.0	1.8	28.0	7.41	1214			
21x1	re	0.8	1.0	1.8	26.6	18.1	978			
21x1.5	re	0.8	1.0	1.8	27.9	12.1	1123			
21x2.5	re	0.8	1.0	1.8	31.5	7.41	1493			
24x1	re	0.8	1.0	1.8	26.6	18.1	1030			
24x1.5	re	0.8	1.0	1.8	27.9	12.1	1189			
24x2.5	re	0.8	1.0	1.8	31.5	7.41	1597			
27x1	re	0.8	1.0	1.8	27.0	18.1	1096			

**Cablu de semnalizare ecranat, armat,
cu izolatie de PVC si manta de PE**

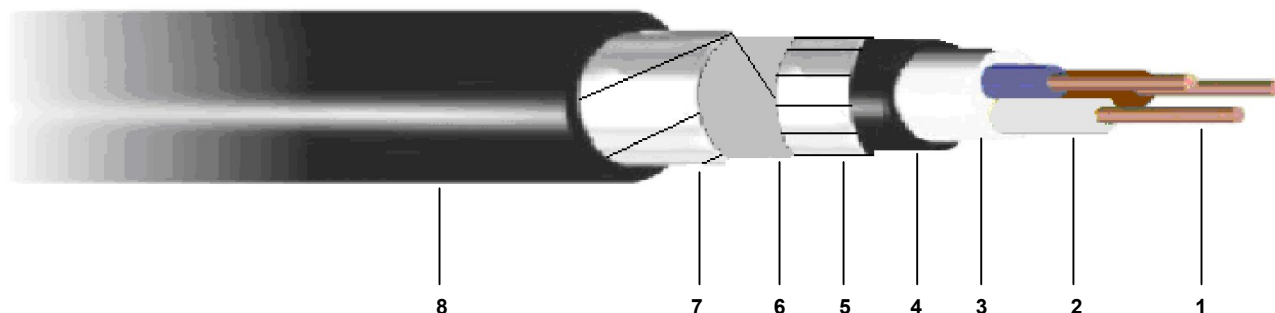
**Screened-armored signal cable,
PVC insulated and polyethylene sheathed**

Tipodimensiune cablu Cable size	Tip conductor Conductor type	Grosime radiala izolatie Insulation radial thickness mm	Grosime radiala manta Sheath radial thickness		Diametru exterior nominal Nominal outer diameter mm	Rezistenta electrica, max la 20°C Max. resistance at 20°C Ω/km	Masa inf Mass inf kg/km
			mm				
			Int	Ext			
27x1.5	re	0.8	1.0	1.8	28.4	12.1	1271
27x2.5	re	0.8	1.0	1.8	32.0	7.41	1717
30x1	re	0.8	1.0	1.8	27.7	18.1	1168
30x1.5	re	0.8	1.0	1.8	29.1	12.1	1358
30x2.5	re	0.8	1.0	2.2	33.0	7.41	1844
33x1	re	0.8	1.0	1.8	28.5	18.1	1247
33x1.5	re	0.8	1.0	1.8	30.0	12.1	1453
33x2.5	re	0.8	1.0	2.2	34.0	7.41	1984
37x1	re	0.8	1.0	1.8	29.3	18.1	1338
37x1.5	re	0.8	1.0	1.8	30.9	12.1	1571
37x2.5	re	0.8	1.0	1.8	36.3	7.41	2290
42x1	re	0.8	1.0	1.8	32.0	18.1	1507
42x1.5	re	0.8	1.0	1.8	33.8	12.1	1790
48x1	re	0.8	1.0	1.8	32.5	18.1	1542
48x1.5	re	0.8	1.0	1.8	34.8	12.1	1940
52x1	re	0.8	1.0	1.8	33.2	18.1	1714
52x1.5	re	0.8	1.0	2.2	36.1	12.1	2104
56x1	re	0.8	1.0	2.2	34.8	18.1	1854
56x1.5	re	0.8	1.0	2.2	36.9	12.1	2223
61x1	re	0.8	1.0	2.2	35.6	18.1	2090
61x1.5	re	0.8	1.0	2.2	37.8	12.1	2365
63x1	re	0.8	1.2	2.2	36.8	18.1	2109
68x1	re	0.8	1.2	2.2	36.8	18.1	2250

**Cablu de semnalizare ecranat, armat,
cu izolare de PVC si manta de PE**

**Screened-armored signal cable,
PVC insulated and polyethylene sheathed**

Forma constructiva:



1	Conductoare rotunde, unifilare, din cupru	1	Solid copper conductors
2	Conductoare izolate	2	Insulated conductors
3	Invelis comun extrudat sau din benzi	3	Filler or plastic tape
4	Manta interna	4	Inner sheath
5	Ecran din sarme de Al	5	Aluminum wire screen
6	Strat separator din PES	6	Plastic tape
7	Armatura din banda de otel sau otel zincat	7	Blank or zinc-plated cold-rolled steel tape
8	Manta exterioara	8	Outer sheath