

CS2XEALAbY(-F), CS2XEALAbzY(-F) 0.6/1 kV

Cablu de semnalizare cu izolatie de polietilena reticulata si manta de PVC, ecranat-armat

Armored and screened signal cable with crosslinked polyethylene (XLPE) insulation and PVC sheath

Standard	Aprobari / Approvals	Ambalare / Packaging	
ST 147 :2012, rev.2 : 2018 Standard de referinta : SR CEI 60502-1	Certificat de omologare tehnica feroviara Nr 115, 116 /2018, AFER Buc Railway Technical Approval Certificate No 115, 116 /2018, AFER Buc Romania	Tambur/ drum	

CARACTERISTICI		CHARACTERISTICS	
Utilizare: Cablurile se utilizeaza pentru comanda si semnalizare in instalatii electroenergetice si similare Cablurile pot fi pozate in spatii inchise si deschise, in pamant, in canale, in beton Cablurile sunt cu rezistenta la UV		Applicability : Control and transmittal of signals in power generation & supply facilities and similar The cables can be installed in open or confined areas, underground, in sewers, in concrete UV resistant cables	
Tensiune nominala U₀/U	0.6/1 kV	Rated voltage U₀/U	0.6/1 kV
Tensiune de incercare	4 h :2.4 kV c.a sau 6 kV c.c 5 min: 3.5 kV c.a sau 8.4 kV c.c	Test voltage	4 h :2.4 kV c.a sau 6 kV c.c 5 min: 3.5 kV c.a sau 8.4 kV c.c
Constanta rezistentei de izolatie	90°C: min 3.67 MΩ*km	Insulation resistance constant at	90°C : min 3.67 MΩ*km
Rezistivitatea de volum specifica, min.	la 20 °C - 10 ¹⁵ Ω*cm la 90°C - 10 ¹² Ω*cm	Volume resistivity at , min	la 20 °C - 10 ¹⁵ Ω*cm la 90°C - 10 ¹² Ω*cm
Rezistenta de izolatie la 20°C	Min 100 MΩ*km	Insulation resistance at 20°C	Min 100 MΩ*km
Factor reductor la 200mV/m si 50 Hz	max 0.7	Reduction factor	max 0.7
Capacitate la 800 Hz	Max 100 nF/km	Capacity at 800 Hz	Max 100 nF/km
Temperatura minima de instalare pe cablu	-5°C	The minim temperature of de cable during installation	-5°C
Temperatura maxima de lucru	+90°C	Max.permissible operating temperature	+90°C
Temperatura maxima de scurt-circuit	+250°C(max 5 sec)	Max. short-circuit temperature	+250°C(max 5 sec)
Temperatura de utilizare normala	-40°C ÷ +90°C	Normal operational temperature range	-40°C ÷ +90°C
Temperatura minima de montaj	-5°C	Temperature during installation	-5°C
Temperatura masurata pe manta	-10°C ÷ +90°C	Temperature measured on the sheath	-10°C ÷ +90°C
Conformitate RoHS	Da	RoHS compliancy	Yes
Conformitate REACH	Da	REACH compliancy	Yes
Conductor de cupru	Conductor unifilar (ru), SR EN 60228	Copper conductor	Monowire conductor (ru), SR EN 60228
Izolatie	XLPE polietilena reticulata	Insulation	XLPE- crosslinked polyethylene
Umplutura	PVC sau benzi din material plastic	Filling	PVC or plastic tape
Manta interioara	PVC tip ST1 negru sau gri	Inner sheath	PVC type ST1 black or gray
Ecran	Ecran din sarme de Al , min 1.6 mm	Screen	Aluminum wire screen, min1.6 mm
Armatura	Banda laminata la rece nezincata (CS2XEALAbY, CS2XEALAbY-F) sau zincata (CS2XEALAbzY, CS2XEALAbzY-F) ,de grosime minima 0.2 sau 0.5 mm	Armor	Blank (CS2XEALAbY, CS2XEALAbY-F) or zinc-plated cold-rolled (CS2XEALAbzY, CS2XEALAbzY-F) tape 0.2 or 0.5 mm thickness.

CS2XEALAbY(-F), CS2XEALAbzY(-F) 0.6/1 kV

Cablu de semnalizare cu izolatie de polietilena reticulata si manta de PVC, ecranat-armat

Armored and screened signal cable with crosslinked polyethylene (XLPE) insulation and PVC sheath

Manta exterioara	PVC tip ST1 negru (CS2XEALAbY, CS2XEALAbzY) sau gri (CS2XEALAbY-F, CS2XEALAbzY-F) Cablurile sunt cu rezistenta sau rezistenta marita la propagarea flacarii conf SR EN 60332-1-2 (CS2XEALAbY, CS2XEALAbzY), SR EN 60332-3-24 /cat C (CS2XEALAbY-F, CS2XEALAbzY-F)	Outer sheath	PVC type ST1 black (CS2XEALAbY, CS2XEALAbzY) or gray (CS2XEALAbY-F, CS2XEALAbzY-F) The cables are flame retardant or extra flame retardant acc SR EN 60332-1-2(CS2XEALAbY, CS2XEALAbzY), SR EN 60332-3-24 /cat C,(CS2XEALAbY-F, CS2XEALAbzY-F).
Marcaj pe manta	SC ELECTROPLAST SA ,simbol cablu ,tensiune de lucru, luna, an de fabricatie, marcaj de lungime Exemplu de marcaj : CS2XEALAbY-F 37x1.5 mm ² 0.6/1 kV ELECTROPLAST SA 09/2018 0030	Sheath marking	SC ELECTROPLAST SA , cable symbol , operational voltage, , months ,year of manufacture, ,mark length Example: CS2XEALAbY-F 37x1.5 mm ² 0.6/1 kV ELECTROPLAST SA 09/2018 0030
Raza minima de curbura la instalare	Min. 12 x diametrul cablului	Min. bending radius at installation	Min. 12 x cable diameter
Forta maxima de tractiune la pozare	Max 50 N/mm ²	Max. tensile strain during installation	Max 50 N/mm ²
Cod de culori	Conf ST 147, rev.2 :2018	Color coding	According ST 147, rev.2 :2018

CS2XEALAbY(-F), CS2XEALAbzY(-F) 0.6/1 kV

Cablu de semnalizare cu izolatie de polietilena reticulata si manta de PVC, ecranat-armat

Armored and screened signal cable with crosslinked polyethylene (XLPE) insulation and PVC sheath

Tipodimensiune cablu Cable size	Tip conducto r Conductor type	Grosime radiala izolatie Insulation radial thickness mm	Grosime radiala manta Sheath radial thickness mm		Diametru exterior nominal Nominal outer diameter mm	Rezistenta electrica, max la 20°C Max. resistance at 20°C Ω/km	Masa inf Mass inf kg/km
			Int.	Ext.			
2x1	re	0.7	0.8	1.4	14.1	18.1	332
2x1.5	re	0.7	0.8	1.4	14.6	12.1	352
2x2.5	re	0.7	0.8	1.4	15.4	7.41	401
2x4	re	0.7	0.8	1.4	16.3	4.61	469
2x6	re	0.7	0.8	1.4	17.3	3.08	553
3x1	re	0.7	0.8	1.4	14.4	18.1	338
3x1.5	re	0.7	0.8	1.4	14.9	12.1	373
3x2.5	re	0.7	0.8	1.4	15.8	7.41	434
3x4	re	0.7	0.8	1.4	16.8	4.61	519
3x6	re	0.7	0.8	1.4	17.9	3.08	621
4x1	re	0.7	0.8	1.4	15.1	18.1	380
4x1.5	re	0.7	0.8	1.4	15.7	12.1	422
4x2.5	re	0.7	0.8	1.4	16.7	7.41	493
4x4	re	0.7	0.8	1.4	17.8	4.61	598
4x6	re	0.7	0.8	1.4	19.0	3.08	724
5x1	re	0.7	0.8	1.4	15.8	18.1	418
5x1.5	re	0.7	0.8	1.4	16.5	12.1	467
5x2.5	re	0.7	0.8	1.4	17.6	7.41	558
5x4	re	0.7	0.8	1.4	18.8	4.61	676
5x6	re	0.7	0.8	1.4	20.2	3.08	834
7x1	re	0.7	0.8	1.4	16.7	18.1	443
7x1.5	re	0.7	0.8	1.4	17.4	12.1	505
7x2.5	re	0.7	0.8	1.4	18.6	7.41	610
7x4	re	0.7	0.8	1.4	20.0	4.61	753
7x6	re	0.7	0.8	1.4	21.6	3.08	939
9x1	re	0.7	0.8	1.4	18.9	18.1	543
9x1.5	re	0.7	0.8	1.4	19.9	12.1	612
9x2.5	re	0.7	0.8	1.4	21.4	7.41	750
12x1	re	0.7	0.8	1.4	19.6	18.1	603
12x1.5	re	0.7	0.8	1.4	20.6	12.1	695
12x2.5	re	0.7	1.0	1.8	22.3	7.41	864
14x1	re	0.7	0.8	1.4	20.3	18.1	648
14x1.5	re	0.7	0.8	1.4	21.4	12.1	752
14x2.5	re	0.7	1.0	1.8	23.1	7.41	942
16x1	re	0.7	0.8	1.4	21.0	18.1	694
16x1.5	re	0.7	0.8	1.8	22.2	12.1	816
16x2.5	re	0.7	1.0	1.8	25.2	7.41	1109
19x1	re	0.7	0.8	1.4	21.8	18.1	762
19x1.5	re	0.7	1.0	1.8	23.0	12.1	893
19x2.5	re	0.7	1.0	1.8	26.2	7.41	1227
21x1	re	0.7	1.0	1.8	25.5	18.1	942
21x1.5	re	0.7	1.0	1.8	27.0	12.1	1099
21x2.5	re	0.7	1.0	1.8	29.4	7.41	1385
24x1	re	0.7	1.0	1.8	25.5	18.1	982
24x1.5	re	0.7	1.0	1.8	27.0	12.1	1155

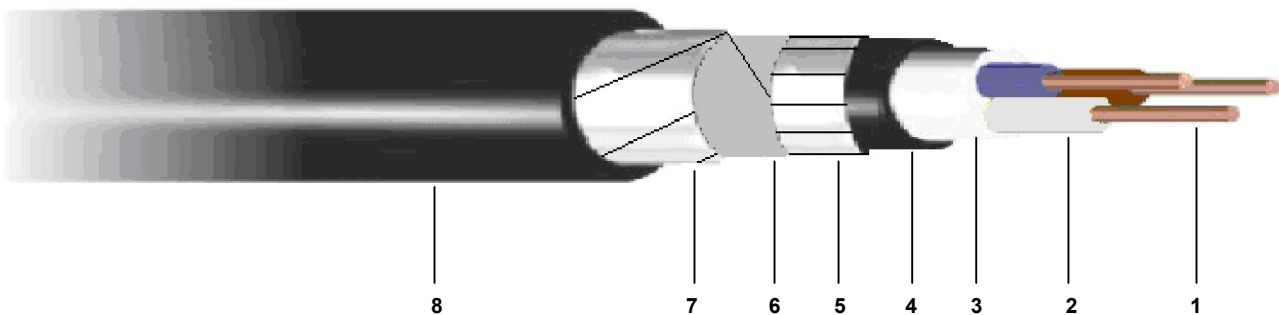
CS2XEALAbY(-F), CS2XEALAbzY(-F) 0.6/1 kV

Cablu de semnalizare cu izolatie de polietilena reticulata si manta de PVC, ecranat-armat

Armored and screened signal cable with crosslinked polyethylene (XLPE) insulation and PVC sheath

Tipodimensiune cablu Cable size	Tip conductor Conductor type	Grosime radiala izolatii Insulation radial thickness mm	Grosime radiala manta Sheath radial thickness mm		Diametru exterior nominal Nominal outer diameter mm	Rezistenta electrica, max la 20°C Max. resistance at 20°C Ω/km	Masa inf Mass inf kg/km
			Int.	Ext.			
24x2.5	re	0.7	1.0	1.8	29.4	7.41	1469
27x1	re	0.7	1.0	1.8	25.9	18.1	1037
27x1.5	re	0.7	1.0	1.8	27.4	12.1	1225
27x2.5	re	0.7	1.0	1.8	29.9	7.41	1571
30x1	re	0.7	1.0	1.8	26.5	18.1	1098
30x1.5	re	0.7	1.0	1.8	28.1	12.1	1302
30x2.5	re	0.7	1.0	2.2	30.7	7.41	1686
33x1	re	0.7	1.0	1.8	27.3	18.1	1166
33x1.5	re	0.7	1.0	1.8	28.9	12.1	1387
33x2.5	re	0.7	1.0	2.2	31.6	7.41	1803
37x1	re	0.7	1.0	1.8	28.0	18.1	1242
37x1.5	re	0.7	1.0	1.8	29.8	12.1	1485
37x2.5	re	0.7	1.0	1.8	32.6	7.41	1944
42x1	re	0.7	1.0	1.8	30.5	12.1	1396
42x1.5	re	0.7	1.0	1.8	32.8	7.41	1726
48x1	re	0.7	1.0	1.8	30.9	18.1	1484
48x1.5	re	0.7	1.0	1.8	33.3	12.1	1850
52x1	re	0.7	1.0	1.8	31.6	18.1	1565
52x1.5	re	0.7	1.0	2.2	33.7	12.1	1890
56x1	re	0.7	1.0	2.2	32.3	18.1	1640
56x1.5	re	0.7	1.0	2.2	34.5	12.1	1994
61x1	re	0.7	1.0	2.2	33.1	18.1	1729
61x1.5	re	0.7	1.0	2.2	36.1	12.1	2183

Forma constructiva:



1	Conductoare rotunde, unifilare, din cupru	1	Copper monowire conductors
2	Conductoare izolate cu polietilena (XLPE)	2	Insulated conductors (XLPE)
3	Invelis comun extrudat sau din benzi	3	Filler or plastic tape
4	Manta interna din PVC	4	PVC inner sheath
5	Ecran din sarme de Al	5	Aluminum wire screen
6	Strat separator din PES	6	Plastic tape
7	Armatura din banda de otel sau otel zincat	7	Blank or zinc-plated cold-rolled steel tape
8	Manta exterioara din PVC	8	PVC outer sheath