

**CS2XEALAb(z)2Y, CS2XEALAb(z)2Y-Fr1,
CS2XEALAb(z)2Y-Fr3 0.6/1 kV**

**Cablu de semnalizare ecranat - armat, cu izolatie de polietilena
reticulata si manta de polietilena**

*Screened - armored signal cable, cross-linked
polyethylene insulated and polyethylene sheathed*

Standard	Aprobari / Approvals	Ambalare / Packaging
ST 164: 2014; Standard de referinta: SR CEI 60502-1	Certificat de omologare tehnica feroviara OT 26, 27/2016, AFER Buc Railway Technical Approval Certificate OT 26, 27/2016, AFER Buc Romania	Tambur/ drum

CARACTERISTICI		CHARACTERISTICS	
Utilizare: Cablurile se utilizeaza pentru comanda si semnalizare in instalatii electroenergetice si similare Cablurile pot fi pozate in spatii inchise si deschise, in pamant, in canale, in beton. Cablurile sunt cu rezistenta la UV.		Applicability : Control and transmittal of signals in power generation & supply facilities and similar The cables can be installed in open or confined areas, underground, in sewers, in concrete. UV resistant cables.	
Tensiune nominala U₀/U	0.6/1 kV	Rated voltage U₀/U	0.6/1 kV
Tensiune de incercare	4 h :2.4 kV c.a sau 6 kV c.c 5 min : 3.5 kV c.a sau 8.4 kV c.c	Test voltage	4 h :2.4 kV ac or 6 kV dc 5 min : 3.5 kV ac or 8.5 kV dc
Constanta rezistentei de izolatie	90°C : min 3.67 MΩ*km	Insulation resistance constant at	90°C : min 3.67 MΩ*km
Rezistenta de izolatie la 20°C	Min 100 MΩ*km	Insulation resistance at 20°C	Min 100 MΩ*km
Factor reductor la 200mV/m si 50 Hz	max 0.7	Reduction factor	max 0.7
Capacitate la 800 Hz	Max 100 nF/km	Capacity at 800 Hz	Max 100 nF/km
Temperatura minima de instalare pe cablu	-5°C	The minim temperature of de cable during installation	-5°C
Temperatura maxima de lucru	+90°C	Max. permissible operating temperature	+90°C
Temperatura maxima de scurt-circuit	+250°C(max 5sec)	Max. short-circuit temperature	+250°C(max 5sec)
Temperatura de utilizare normala	-40°C ÷ +90°C	Normal operational temperature range	-40°C ÷ +90°C
Temperatura minima de montaj	-5°C	Temperature during installation	-5°C
Temperatura masurata pe manta	-10°C ÷ +70°C	Temperature measured on the sheath	-10°C ÷ +70°C
Conformitate RoHS	Da	RoHS compliancy	Yes
Conformitate REACH	Da	REACH compliancy	Yes
Rezistenta la propagarea flacarii	Cablurile tip CS2XEAIAb2Y-Fr1 sunt cu rezistenta la propagarea flacarii conf SR EN 60332-1-2 Cablurile tip CS2XEAIAb2Y-Fr3 sunt cu rezistenta la propagarea flacarii conf SR EN 60332-3-24 cat C	Flame retardant	CS2XEAIAb2Y- FR1 - cables are flame retardant according SR EN 60332-1-2 CS2XEAIAb2Y- FR3 - cables are flame retardant according SR EN 60332-3-24 Cat. C
Cabluri de semnalizare cu manta fara halogeni	CS2XEAIAb2Y-Fr3	Signal cables sheathed halogen-free	CS2XEAIAb2Y-Fr3
Conductor de cupru	Conductor unifilar (ru), SR EN 60228	Copper conductor	Monowire conductor (ru), SR EN 60228
Izolatie	XLPE polietilena reticulata	Insulation	XLPE- cross-linked polyethylene
Umplutura	PVC sau benzi din material plastic	Filling	PVC or plastic tape
Manta interioara	Polietilena	Inner sheath	Polyethylene
Ecran	Ecran din sarme de Al	Screen	Aluminum wire screen
Armatura	Banda laminata la rece nezincata (CS2XEALAb2Y) sau zincata (CS2XEALAbz2Y) ,de grosime	Armor	Blank (CS2XEALAb2Y) or zinc-plated cold-rolled (CS2XEALAbz2Y) tape min 0.2

**CS2XEALAb(z)2Y, CS2XEALAb(z)2Y-Fr1,
CS2XEALAb(z)2Y-Fr3 0.6/1 kV**

**Cablu de semnalizare ecranat - armat, cu izolatie de polietilena
reticulata si manta de polietilena**

*Screened - armored signal cable, cross-linked
polyethylene insulated and polyethylene sheathed*

	min 0.2 mm		mm thick.
Manta exterioara	Polietilena	Outer sheath	PE black (CS2XEALAb2Y, CS2XEALAbz2Y)
Marcaj pe manta	SC ELECTROPLAST SA ,simbol cablu ,tensiune de lucru, luna, an de fabricatie, marcaj de lungime Exemplu de marcaj : CS2XEALAb2Y 37x1.5 mm ² 0.6/1 kV ELECTROPLAST SA 03/2015 0030	Sheath marking	SC ELECTROPLAST SA , cable symbol , operational voltage, , months ,year of manufacture, ,mark length Example: CS2XEALAb2Y 37x1.5 mm ² 0.6/1 kV ELECTROPLAST SA 03/2015 0030
Raza minima de curbura la instalare	Min. 12 x diametrul cablului	Min. bending radius at installation	Min. 12 x cable diameter
Forta maxima de tractiune la pozare	Max 50 N/mm ²	Max. tensile strain during installation	Max 50 N/mm ²
Cod de culori	Conf ST 164 :2014	Color coding	According ST 164 :2014

**CS2XEALAb(z)2Y, CS2XEALAb(z)2Y-Fr1,
CS2XEALAb(z)2Y-Fr3 0.6/1 kV**

**Cablu de semnalizare ecranat - armat, cu izolatie de polietilena
reticulata si manta de polietilena**

*Screened - armored signal cable, cross-linked
polyethylene insulated and polyethylene sheathed*

Tipodimensiune cablu <i>Cable size</i>	Tip conductor <i>Conductor type</i>	Grosime radiala izolatie <i>Insulation radial thickness</i>	Grosime radiala manta <i>Sheath radial thickness</i>		Diametru exterior inf <i>Outer diameter inf</i>	Rezistenta electrica, max la 20°C <i>Max. resistance at 20°C</i>	Masa inf <i>Mass inf</i>			
			mm					mm	Ω/km	kg/km
			Int.	Ext.						
2x1	re	0.7	0.8	1.4	14.1	18.1	223			
2x1.5	re	0.7	0.8	1.4	14.6	12.1	146			
2x2.5	re	0.7	0.8	1.4	15.4	7.41	288			
2x4	re	0.7	0.8	1.4	16.3	4.61	344			
2x6	re	0.7	0.8	1.4	17.3	3.08	416			
3x1	re	0.7	0.8	1.4	14.4	18.1	233			
3x1.5	re	0.7	0.8	1.4	14.9	12.1	260			
3x2.5	re	0.7	0.8	1.4	15.8	7.41	316			
3x4	re	0.7	0.8	1.4	16.8	4.61	383			
3x6	re	0.7	0.8	1.4	17.9	3.08	472			
4x1	re	0.7	0.8	1.4	15.1	18.1	272			
4x1.5	re	0.7	0.8	1.4	15.7	12.1	304			
4x2.5	re	0.7	0.8	1.4	16.7	7.41	366			
4x4	re	0.7	0.8	1.4	17.8	4.61	456			
4x6	re	0.7	0.8	1.4	19.0	3.08	568			
5x1	re	0.7	0.8	1.4	15.8	18.1	303			
5x1.5	re	0.7	0.8	1.4	16.5	12.1	342			
5x2.5	re	0.7	0.8	1.4	17.6	7.41	423			
5x4	re	0.7	0.8	1.4	18.8	4.61	522			
5x6	re	0.7	0.8	1.4	20.2	3.08	663			
7x1	re	0.7	0.8	1.4	16.7	18.1	318			
7x1.5	re	0.7	0.8	1.4	17.4	12.1	369			
7x2.5	re	0.7	0.8	1.4	18.6	7.41	461			
7x4	re	0.7	0.8	1.4	20.0	4.61	584			
7x6	re	0.7	0.8	1.4	21.6	3.08	750			
9x1	re	0.7	0.8	1.4	18.9	18.1	398			
9x1.5	re	0.7	0.8	1.4	19.9	12.1	452			
9x2.5	re	0.7	0.8	1.4	21.4	7.41	575			
12x1	re	0.7	0.8	1.4	19.6	18.1	472			
12x1.5	re	0.7	0.8	1.4	20.6	12.1	526			
12x2.5	re	0.7	1.0	1.8	22.3	7.41	679			
14x1	re	0.7	0.8	1.4	20.3	18.1	491			
14x1.5	re	0.7	0.8	1.4	21.4	12.1	575			
14x2.5	re	0.7	1.0	1.8	23.1	7.41	748			
16x1	re	0.7	0.8	1.4	21.0	18.1	531			
16x1.5	re	0.7	0.8	1.8	22.2	12.1	631			
16x2.5	re	0.7	1.0	1.8	25.2	7.41	844			
19x1	re	0.7	0.8	1.4	21.8	18.1	591			
19x1.5	re	0.7	1.0	1.8	23.0	12.1	698			
19x2.5	re	0.7	1.0	1.8	26.2	7.41	949			
21x1	re	0.7	1.0	1.8	25.5	18.1	688			
21x1.5	re	0.7	1.0	1.8	27.0	12.1	813			
21x2.5	re	0.7	1.0	1.8	29.4	7.41	1069			
24x1	re	0.7	1.0	1.8	25.5	18.1	728			
24x1.5	re	0.7	1.0	1.8	27.0	12.1	866			
24x2.5	re	0.7	1.0	1.8	29.4	7.41	1152			
27x1	re	0.7	1.0	1.8	25.9	18.1	778			

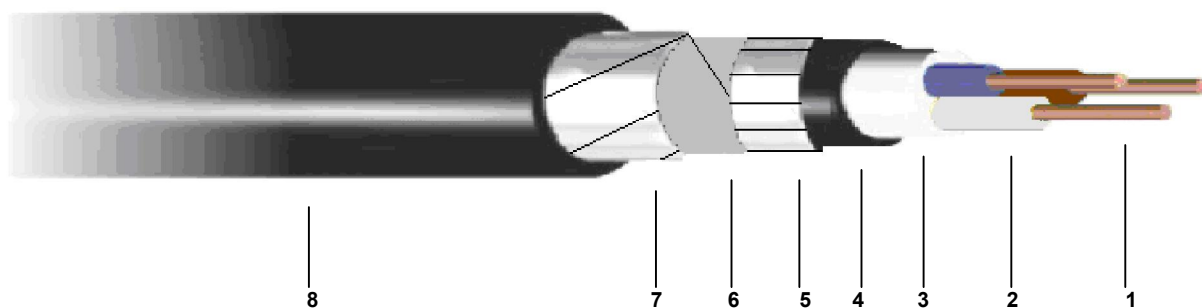
**CS2XEALAb(z)2Y, CS2XEALAb(z)2Y-Fr1,
CS2XEALAb(z)2Y-Fr3 0.6/1 kV**

Cablu de semnalizare ecranat - armat, cu izolatie de polietilena reticulata si manta de polietilena

Screened - armored signal cable, cross-linked polyethylene insulated and polyethylene sheathed

Tipodimensiune cablu <i>Cable size</i>	Tip conductor <i>Conductor type</i>	Grosime radiala izolatia <i>Insulation radial thickness</i>	Grosime radiala manta <i>Sheath radial thickness</i>		Diametru exterior inf <i>Outer diameter inf</i>	Rezistenta electrica, max la 20°C <i>Max. resistance at 20°C</i>	Masa inf <i>Mass inf</i>
			mm				
			Int.	Ext.			
		mm			mm	Ω/km	kg/km
27x1.5	re	0.7	1.0	1.8	27.4	12.1	930
27x2.5	re	0.7	1.0	1.8	29.9	7.41	1245
30x1	re	0.7	1.0	1.8	26.5	18.1	831
30x1.5	re	0.7	1.0	1.8	28.1	12.1	998
30x2.5	re	0.7	1.0	2.2	30.7	7.41	1349
33x1	re	0.7	1.0	1.8	27.3	18.1	891
33x1.5	re	0.7	1.0	1.8	28.9	12.1	1072
33x2.5	re	0.7	1.0	2.2	31.6	7.41	1453
37x1	re	0.7	1.0	1.8	28.0	18.1	959
37x1.5	re	0.7	1.0	1.8	29.8	12.1	1157
37x2.5	re	0.7	1.0	1.8	32.6	7.41	1580
42x1	re	0.7	1.0	1.8	30.5	12.1	1084
42x1.5	re	0.7	1.0	1.8	32.8	7.41	1360
48x1	re	0.7	1.0	1.8	30.9	18.1	1168
48x1.5	re	0.7	1.0	1.8	33.3	12.1	1475
52x1	re	0.7	1.0	1.8	31.6	18.1	1241
52x1.5	re	0.7	1.0	2.2	33.7	12.1	1508
56x1	re	0.7	1.0	2.2	32.3	18.1	1308
56x1.5	re	0.7	1.0	2.2	34.5	12.1	1600
61x1	re	0.7	1.0	2.2	33.1	18.1	1389
61x1.5	re	0.7	1.0	2.2	36.1	12.1	1703

Forma constructiva



1	Conductoare rotunde, unifilare, din cupru	1	Copper monowire conductors
2	Conductoare izolate	2	Insulated conductors
3	Invelis comun extrudat sau din benzi	3	Filler or pastic tape
4	Manta interna	4	Inner sheath
5	Ecran din sarme de Al	5	Aluminum wire screen
6	Strat separator din PES	6	Plastic tape
7	Armatura din banda de otel sau otel zincat	7	Blank or zinc-plated cold-rolled steel tape
8	Manta exterioara	8	Outer sheath